

1

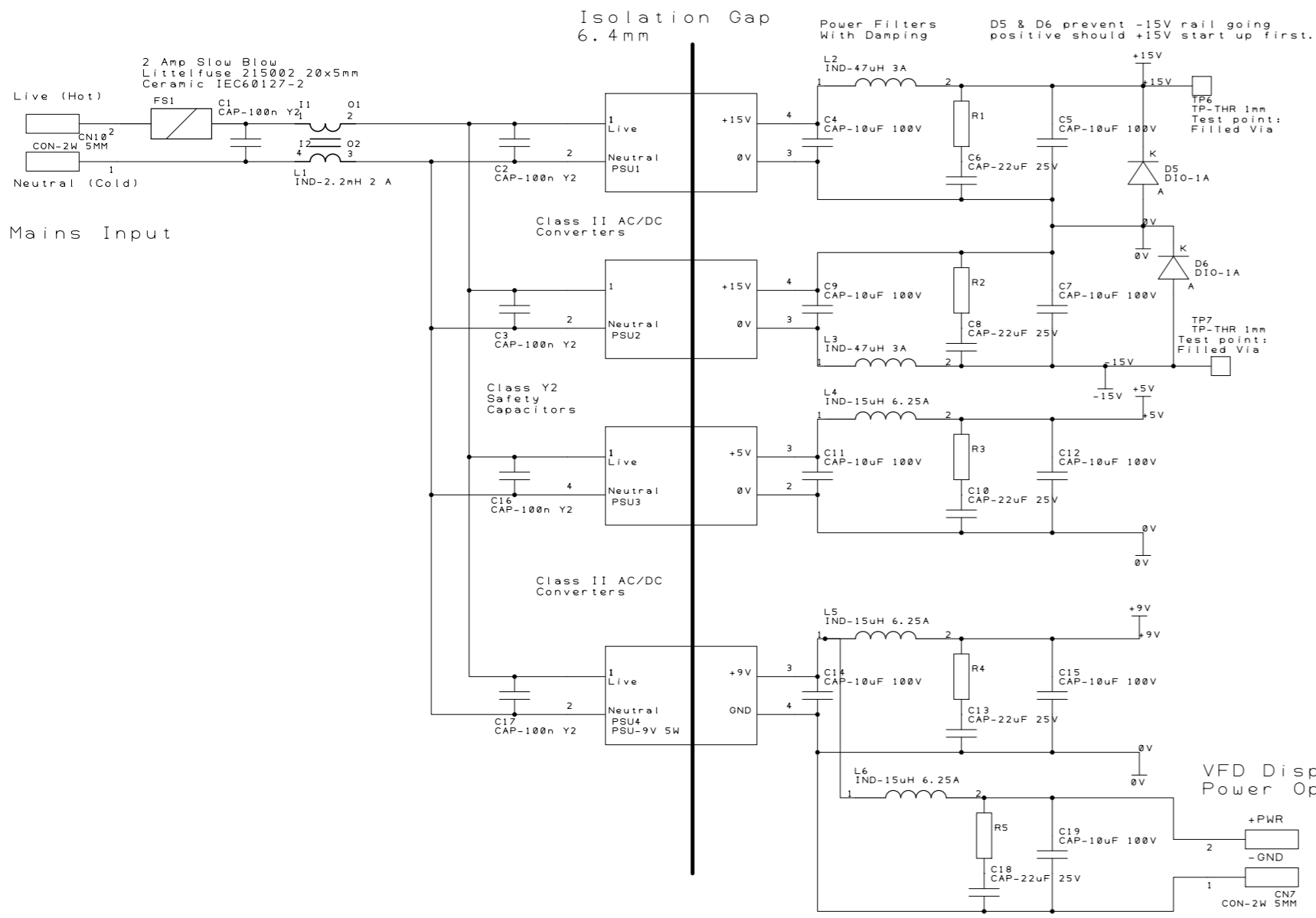
2

3

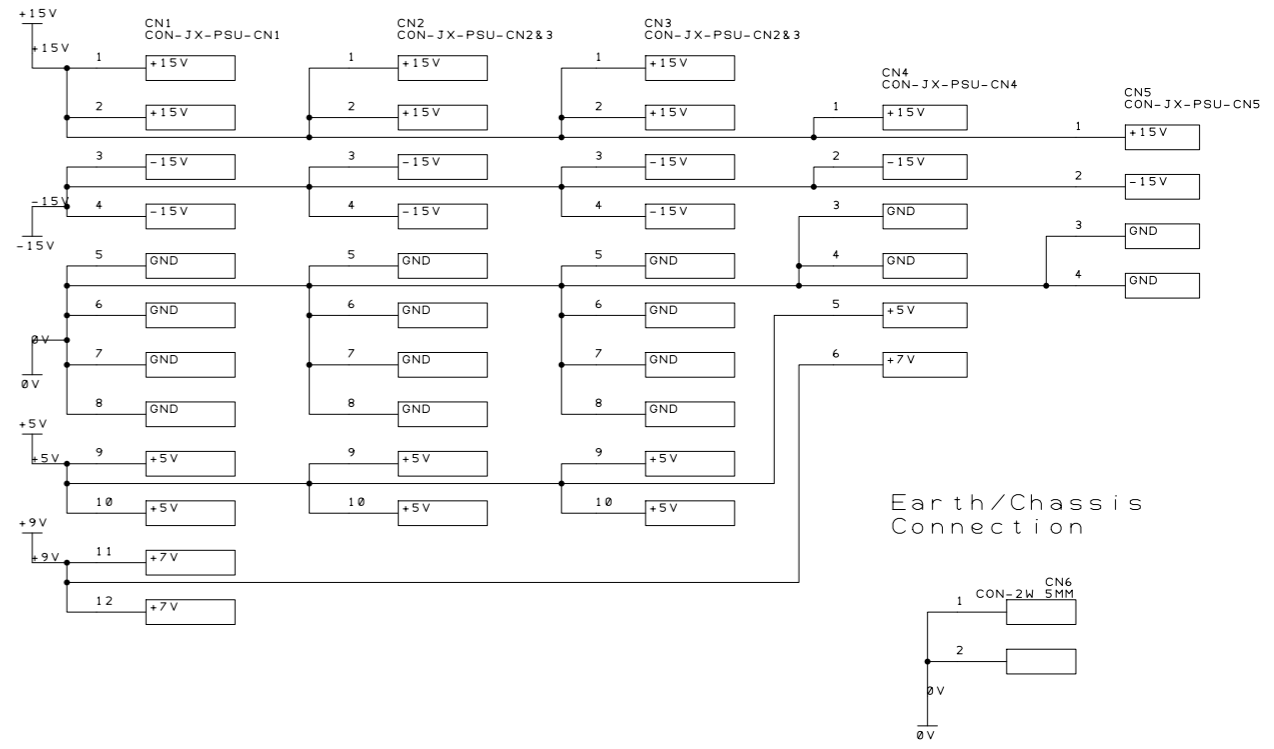
4

5

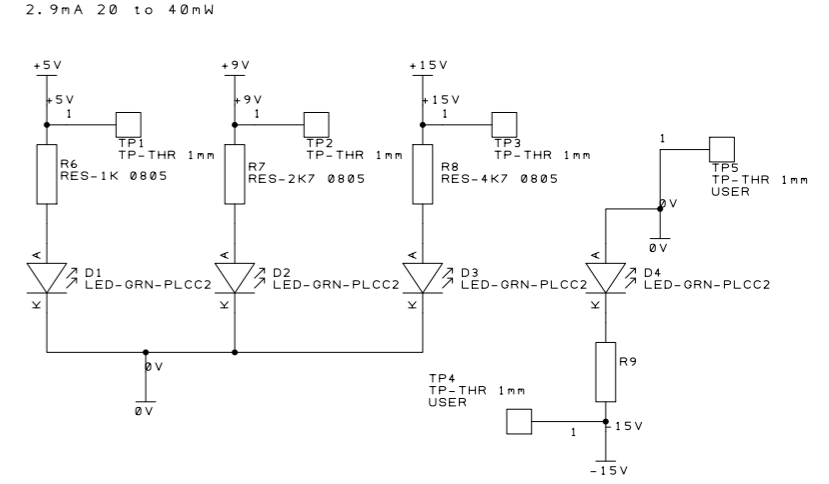
6



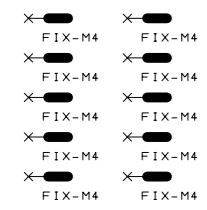
Roland Super JX Power Distribution Connectors



Power Indicators & Test Points



MKS70 & JX10 Fixing Points
Clear 2mm minimum from signals & 6.4mm to any AC line.



Note

Design is not SELV although layout follows 6.4mm signal to line policy. AC/DC converters are Class II isolation but combined exceed minimum leakage current requirements for Class II.

The instrument has to be earthed to 240V UK specification to ensure electrical safety by changing the mains inlet to 3 prong IEC style.

Installer must take responsibility for electrical safety and ensure 10mm clearance from PCB and mounting surfaces using a secure method such as metal spacers and M4 bolts to support the PCB.